
CONSTRUCTION / CLASSIFICATION

Year built 2015

MAIN DATA

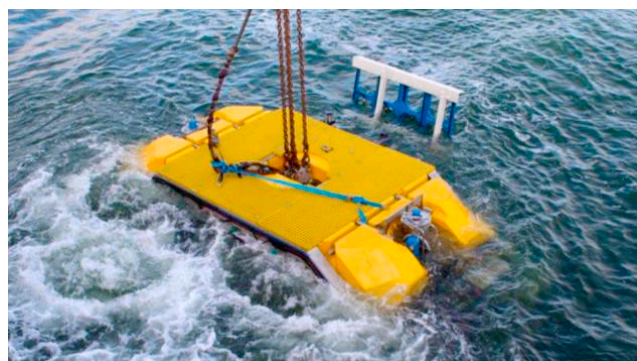
Power	820 kW/1,100 hp 2 x 110 kW Hydraulic power
Jetting pumps	2 x 300 kW Jetting power frequency driven
Operating depth	400 m
Length	3.94 m
Width	6.24 m
Height	2.63 m
Ground clearance	0.63 m
Weight in air	9,500 kg
Weight in water	3,700 kg
Min. soil bearing	3.5 kPa with Track extensions
Lateral thrusters	4 x 230 kgf total 920 kgf
Horizontal thrusters	2 x 850 kgf total 1,700 kgf
Tracks	2 each 4 x 0.6 m soft rubber track
Speed on tracks	50 - 1,000 m/hr
Pitch capability	+/- 12° gradient
Roll capability	+/- 12°
Operational current	1.7 kn during L&R, 2.0 kn on seabed

LARS/DECK TRANSFER SYSTEM

Type	Dynacon 521XL lifting winch System 12Te SWL
Cable capacity	2,500 m
Umbilical diameter	38 mm Rochester TYCO ST200 Double Armored
Weight in air	4,400 kg/km Umbilical
Weight in water	3,400 kg/km
Min. break strength	500 kN
Min. bend radius	600 mm

AFT TOOL FOR BACKWASH

Type	Twin legged, *single legged
Trench depth	Short sword: 1.12 - 2.29 m Long sword: 2.29 - 3.29 m



STRUCTURAL

Construction Stainless steel frame with lifting point for single point lift up to $H_s = 2$ m

JETTING

Soil strength Up to 60 kPa

Sword configuration Single sword at center of vehicle, single sword aft of vehicle

Trench depth 0 - 2.29 m

Water supply 2 x 300 kW

Jetting pressure 8 - 15 bar

Backwash pressure 2 - 12 bar

Jetting flow 200 - 650 m³/h

Backwash flow 400 - 1,100 m³/h

Product diameter < 630 mm

SURVEILLANCE / AUXILIARY EQUIPMENT

Position, heading, roll & pitch 1 x iXBlue Rovins

Altitude + depth Fiber optic gyro & motion
Bathy + 2 x Valeport altimeter
1 x Valeport VA500P

Cameras 3 x Luxus compact CCD

Lights 8 x Bowtech LED-K 3200

Pan & tilt 2 x Ocean tool electrical
2 x Subatlantic

Sonars 2 x Kongsberg
2 x Blueview M900-130

Cable tracking TSS 440, TSS 350
DOBI - Incorporated in sword

Doppler Vel. log RDI workhose 1200

Trencher geometry In-cylinder transducers for trench depth measurement

CONTAINERS

Control cabin 1 x ISO 20' high cube

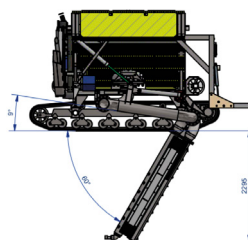
Power 1 x ISO 20' high cube

Workshop 1 x ISO 20' high cube

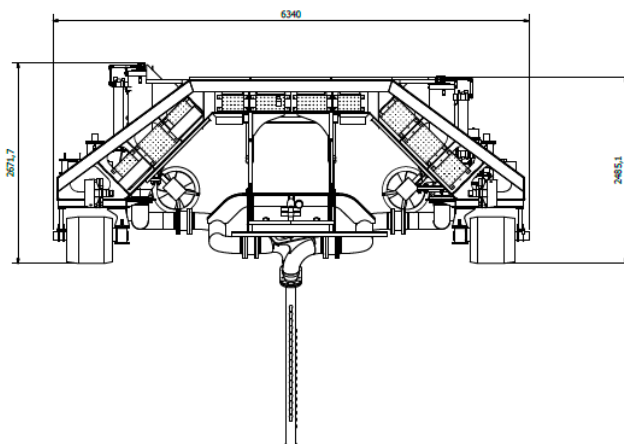
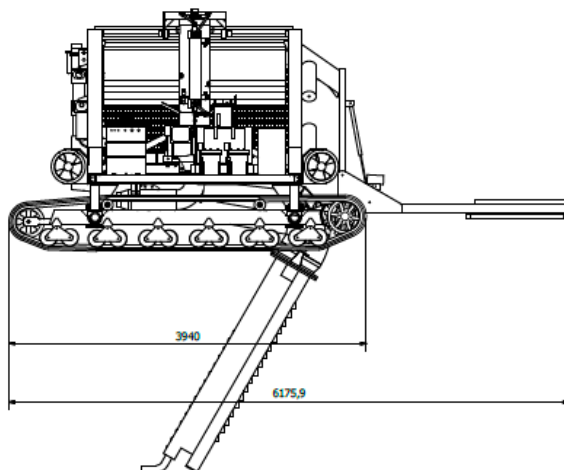
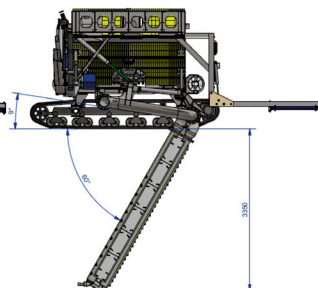
Storage 2 x ISO 20'

Supporting Deck HPU for maintenance purposes

short sword



long sword



Boskalis

PO Box 43
3350 AA Papendrecht
The Netherlands
T +31 78 69 69 000
offshore.energy@boskalis.com
www.boskalis.com/offshore