

## CONSTRUCTION / CLASSIFICATION

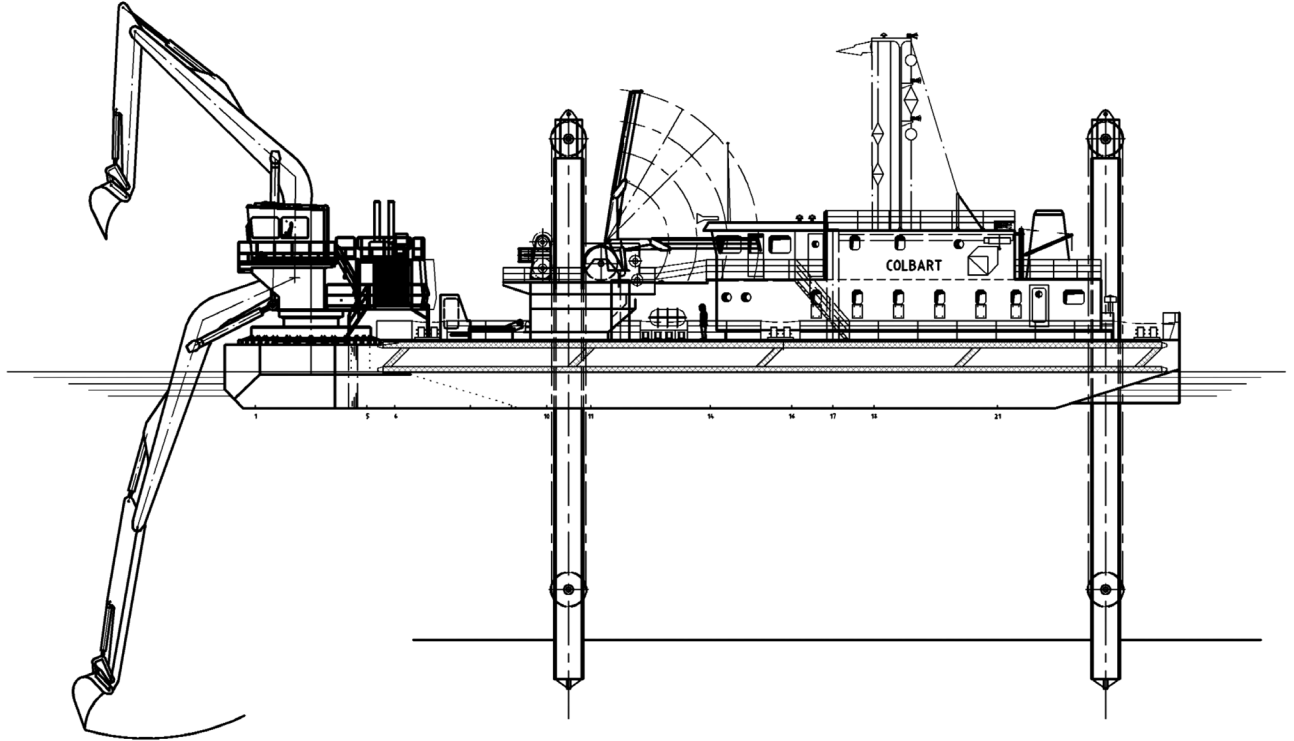
Built by	Société Industrielle des Forges De Strasbourg
Year of construction	1987
Classification	I ✕ HULL, Dredger, No Propulsion, Unrestricted Navigation

## FEATURES

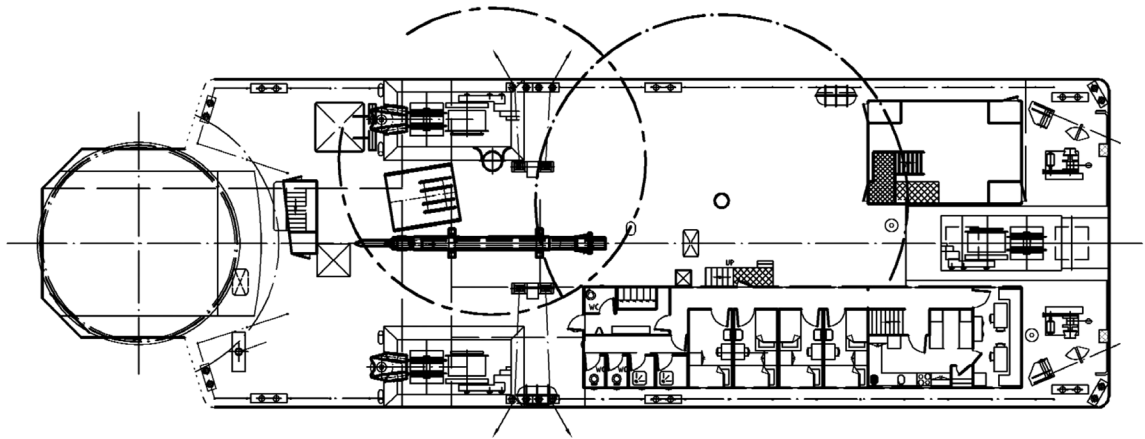
For use in inland and coastal waters up to 15 miles offshore.  
 Equipped for working in tropical climates and isolated locations.

## MAIN DATA

Gross tonnage	696 GT
Length overall	49.96 m
Length pontoon	48.70 m
Breadth	15.00 m
Moulded depth	3.50 m
Normal draught	2.54 m
Type of excavator	Demag Aquadigger H255S (1999)
Bucket capacity mud bucket	15.00 m <sup>3</sup>
Bucket capacity H.D. bucket	2.70 m <sup>3</sup>
Max. dredging depth	18.5 m
Anchoring system	3 spuds/spud carriage
Total installed power	1,312 kW
Excavator engine power	940 kW



**SIDE VIEW**



**TOP VIEW DECK LEVEL**